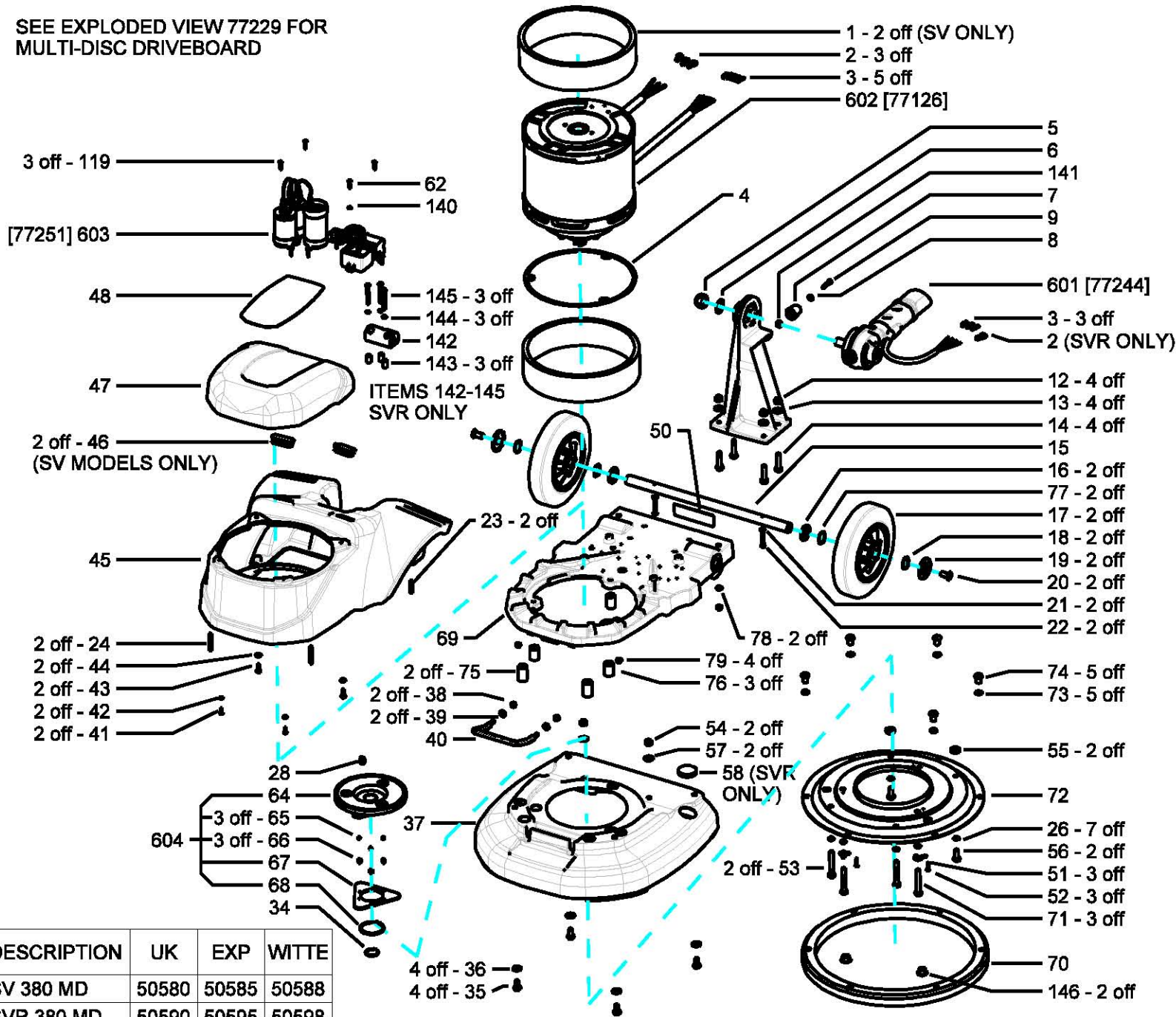


SEE EXPLODED VIEW 77229 FOR
MULTI-DISC DRIVEBOARD



**Premiere Products
Machine Division**
Oakley Gardens, Bouncers Lane,
Cheltenham, Glos, GL52 5JD.
Tel: +44 (0) 1242 243421 Fax: +44 (0) 1242 528445

INTRODUCTION
ISSUE 1: 500/379 (03:05:02)

MODIFICATIONS
ISSUE 2 - MOD 1484 (17:09:02)
ISSUE 3 - MOD 1488 (14:10:02)
ISSUE 4 - MOD 1502 (21:11:02)
ISSUE 5 - MOD 1511 (09:01:03)

DRAWN JRH	DATE 11:02:02
APPROVED DAB	DATE 13:01:03

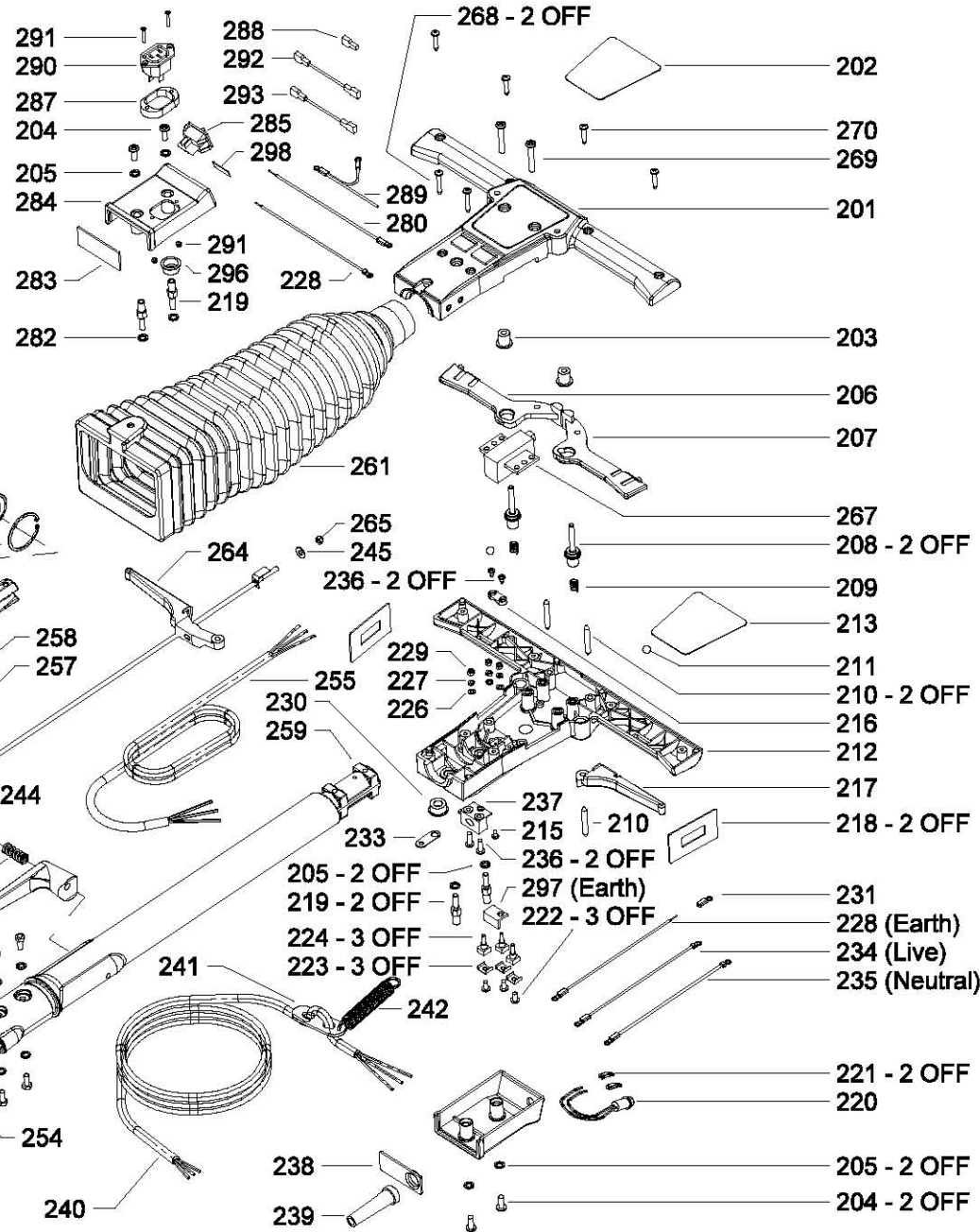
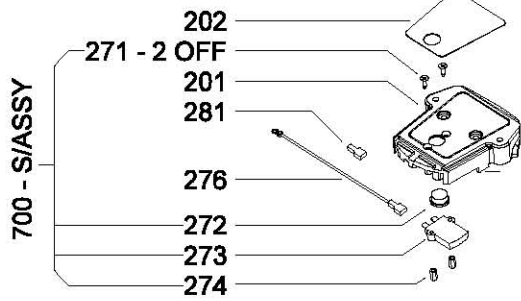
DESCRIPTION

**MULTI-DISC
PV5 SERIES
BASE EXP VIEW**

SHEET 1	OF 1
EXP VIEW 77250	ISSUE 5

DESCRIPTION	UK	EXP	WITTE
SV 380 MD	50580	50585	50588
SVR 380 MD	50590	50595	50598

OPTIONAL THERMAL CUT-OUT ASSEMBLY



UHV HANDLES TO BE FITTED WITH 2 WINDING HANDLE ASSEMBLIES ITEMS 244 - 247

DESCRIPTION	UK	EXP	Witte	110V
SVR & HVR (1.5)	67660	67661	67662	-
SVR & HVR (2.5T)	67663	67663	67664	67665
UHV (1.5T)	67675	67676	-	-
UHV (2.5T)	67677	67677	-	-

**Premiere Products
Machine Division**
Oakley Gardens, Bouncers Lane,
Cheltenham, Glos, GL52 5JD.
Tel: +44 (0) 1242 243421 Fax +44 (0) 1242 528445

INTRODUCTION
ISSUE 1: 500/377 (30:04:02)

MODIFICATIONS
ISSUE 2 - MOD 1602 (07:05:04)

DRAWN	DATE
JRH	24:06:02

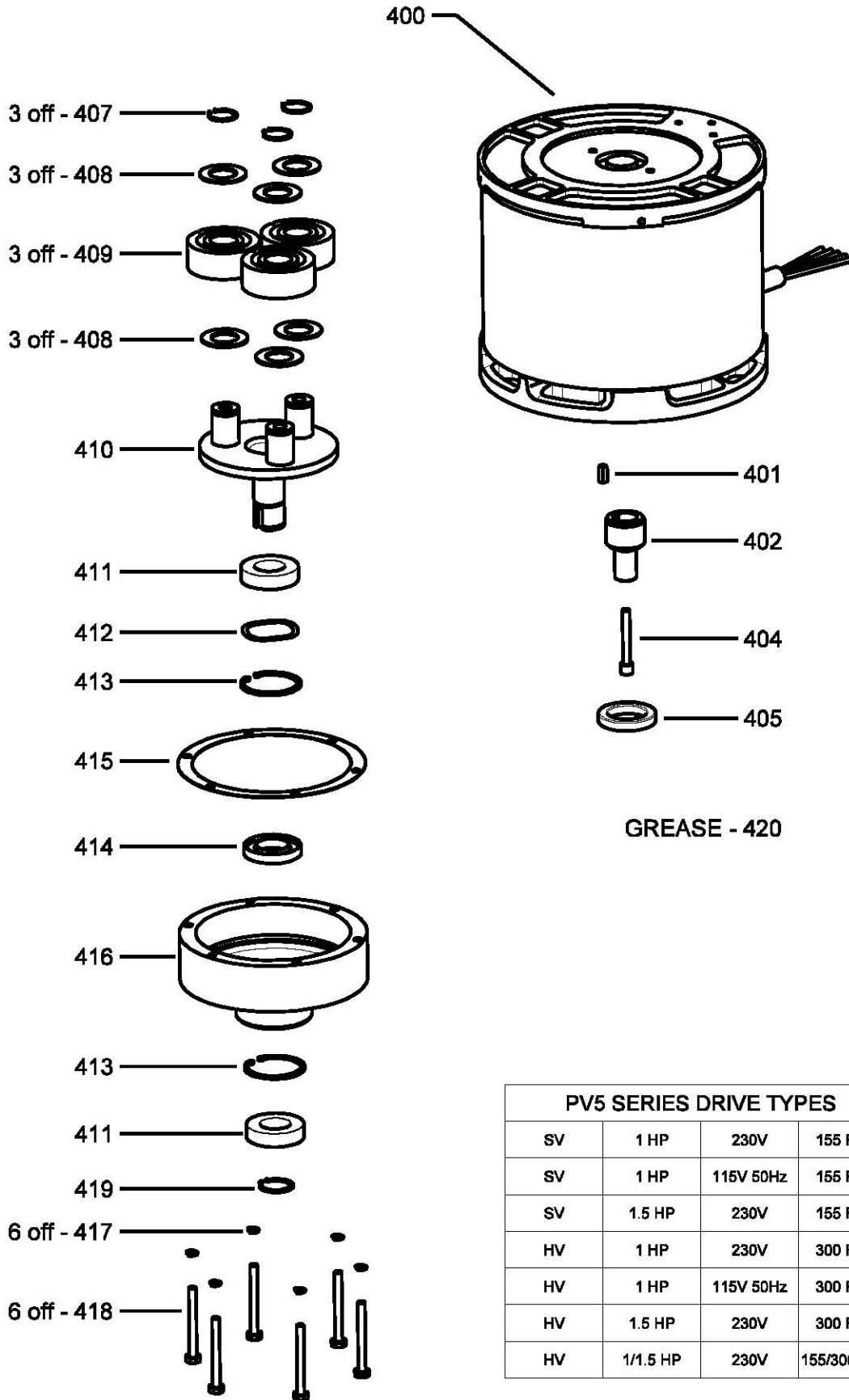
APPROVED	DATE
DAB	16:06:04

DESCRIPTION

**SVR, HVR & UHV
HANDLE**

SHEET	OF
1	1

EXP VIEW	ISSUE
77244	2



PV5 SERIES DRIVE TYPES				MTR & G/BOX	G/BOX ONLY
SV	1 HP	230V	155 RPM	65718	65394
SV	1 HP	115V 50Hz	155 RPM	65697	65394
SV	1.5 HP	230V	155 RPM	65719	65394
HV	1 HP	230V	300 RPM	65711	65412
HV	1 HP	115V 50Hz	300 RPM	65704	65412
HV	1.5 HP	230V	300 RPM	65721	65412
HV	1/1.5 HP	230V	155/300 RPM	65729	65394

**Premiere Products
 Machine Division**
 Oakley Gardens, Bouncers Lane,
 Cheltenham, GL52 5JD.
 +44 (0) 1242 243421 Fax: (0) 1242 528445

DRAWN
JRH
 DATE
27:06:02

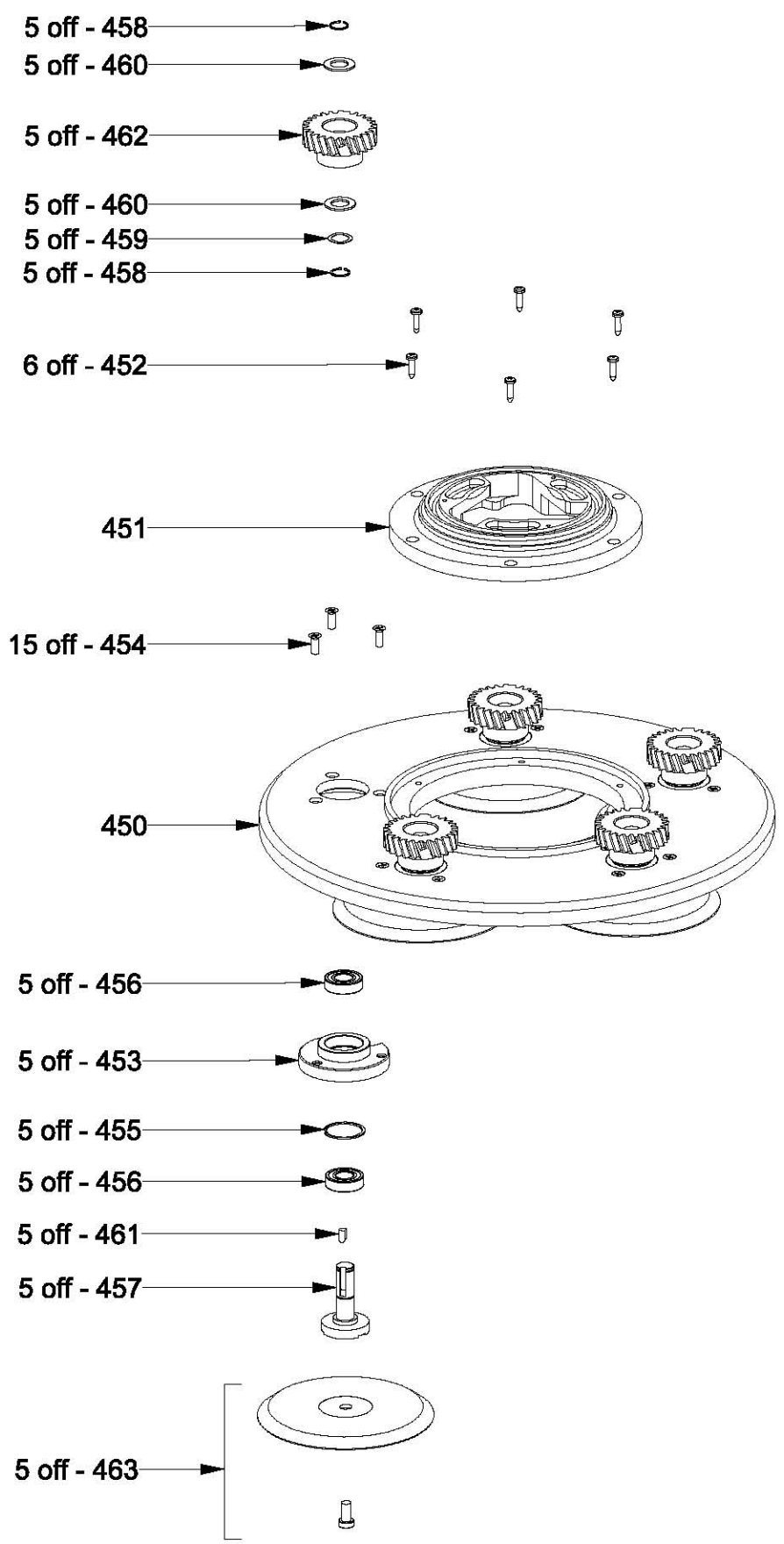
CHECKED
DAB
 DATE
02:07:02

MOTOR & G/BOX

ISSUE **1**

Page **1** Of **1**

Exp. View. **77252**



CODE: 65580

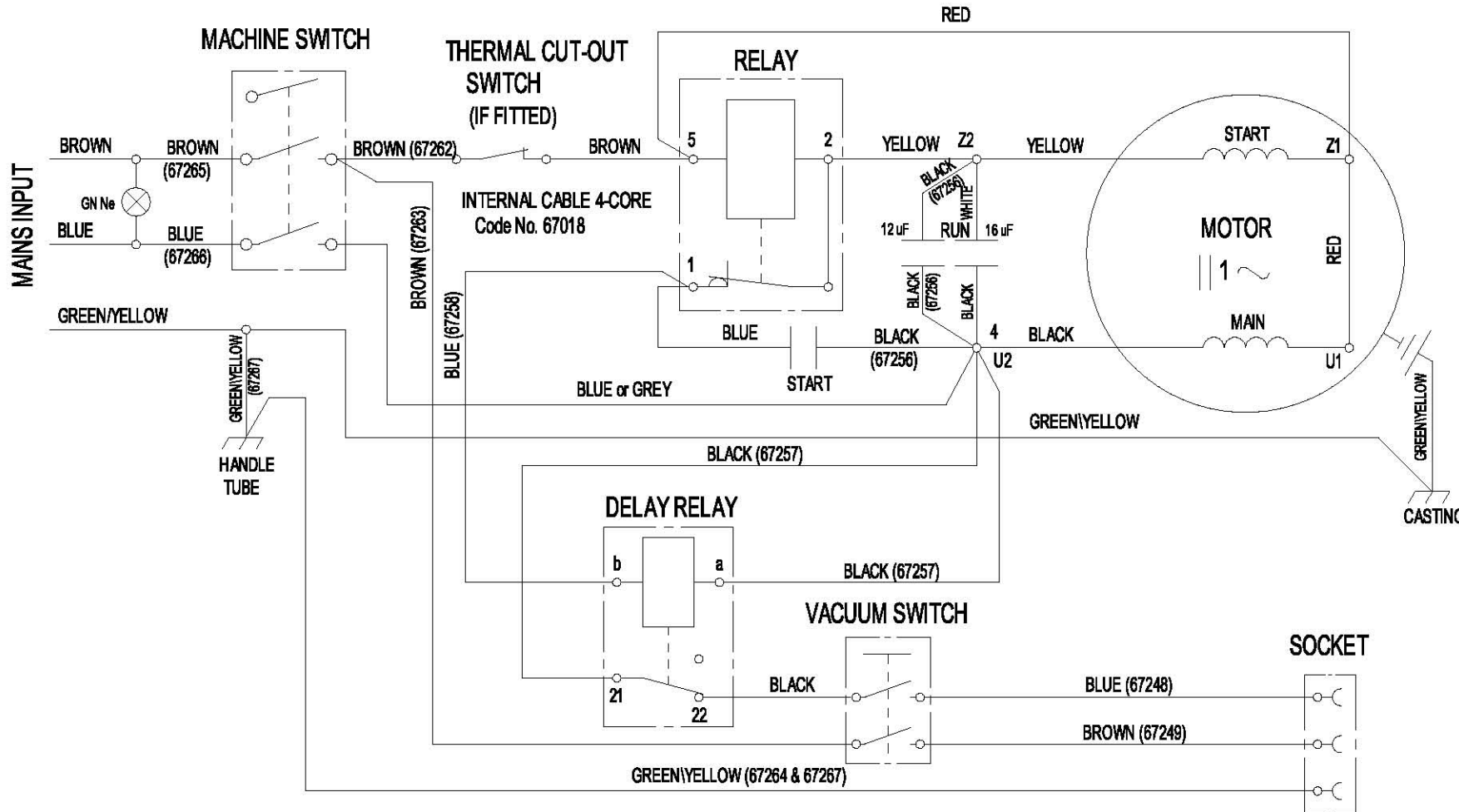
**Premiere Products
 Machine Division**
 Oakley Gardens, Bouncers Lane,
 Cheltenham, GL52 5JD.
 +44 (0) 1242 243421 Fax: (0) 1242 528445

DRAWN	DATE
PSR	11.10.05
CHECKED	DATE
JRH	22.12.05

**MD2 DRIVEBOARD
 EXPLODED VIEW**

ISSUE	1
Page	Of
1	1
Exp. View. No.	77263

THIRD ANGLE PROJECTION



NOTE: 12uF RUN CAPACITOR IS AN OPTIONAL EXTRA ON 1100 Watt (1.5 H.P.) MACHINES

NOTE: FOR DVJ WIRING DIAGRAM SEE DRG No. 22/618

SCALE 1:1

INTRODUCTION
ISSUE 1: 500/366 (14:03:02)

MODIFICATIONS
ISSUE 2
MOD 1672 (03:05:07)

DIMENSIONS
IN MILLIMETRES

TOLERANCE (UNLESS
OTHERWISE STATED)

2 DEC. PLACES
± 0.13mm

1 DEC. PLACE
± 0.30mm

HOLE DIAMETERS
+ 0.25mm
- 0.05mm

REMOVE ALL BURRS
& SHARP EDGES
0.2 / 0.4 mm x 45°

ANGULAR TOL. ± 1/2°
GEOMETRIC TOL.'s
TO B.S. 308 PART 3

ISSUE 2

DRG. No. 21/677

CODE No. 72371

Premiere Products
Machine Division

Oakley Gardens, Bouncers Lane,
Cheltenham, GL52 5JD.
Tel: +44 (0)1242 243421 Fax: +44 (0)1242 528445

MATERIAL

FINISH

QTY PER
ASSY

1

ASSEMBLY ROTOVAC PV5 SERIES

SCHEDULE

DRAWN JRH DATE 16:02:02

CHECKED DAB DATE 03:05:07

WIRING DIAGRAM,
ROTOVACS